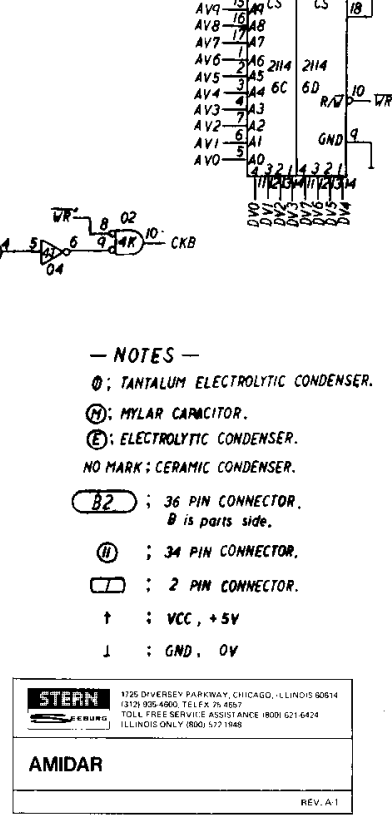
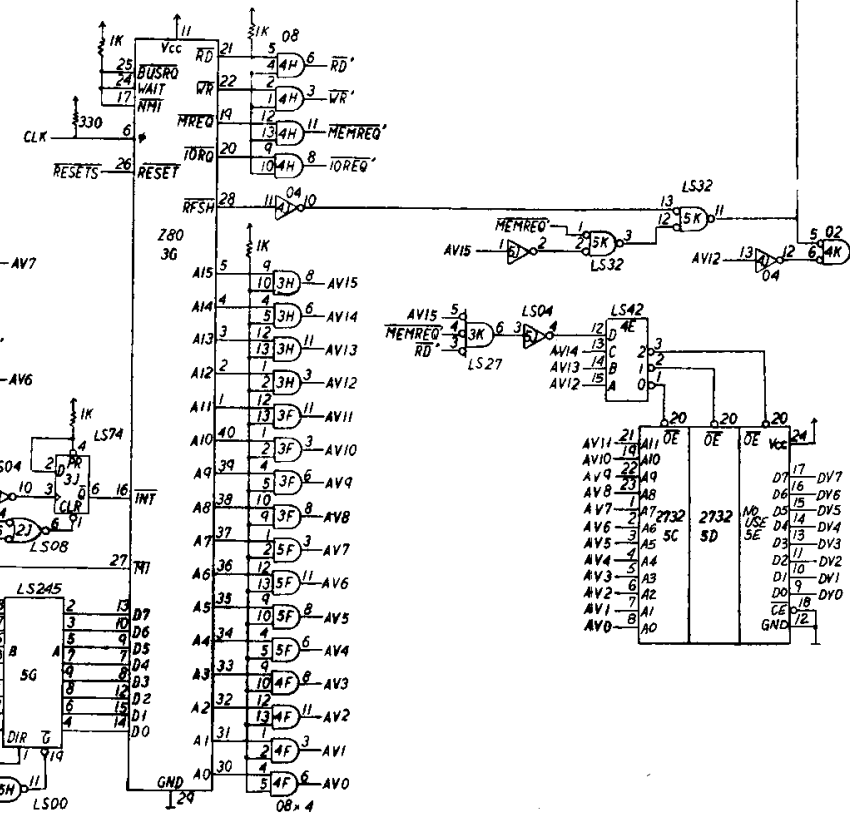
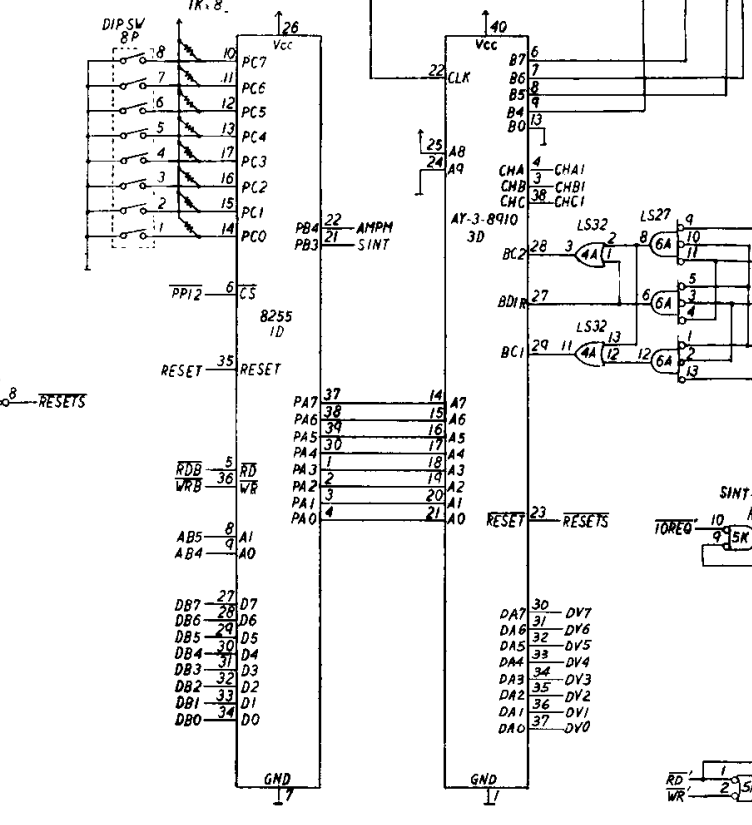
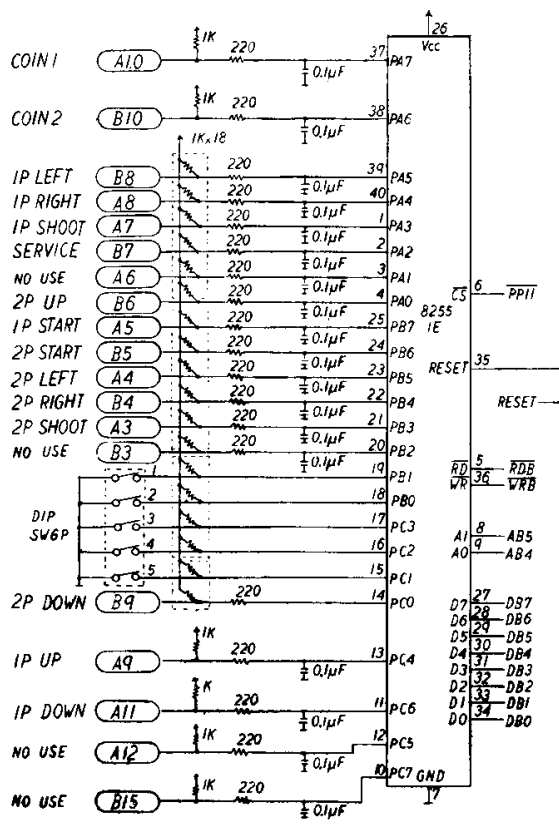
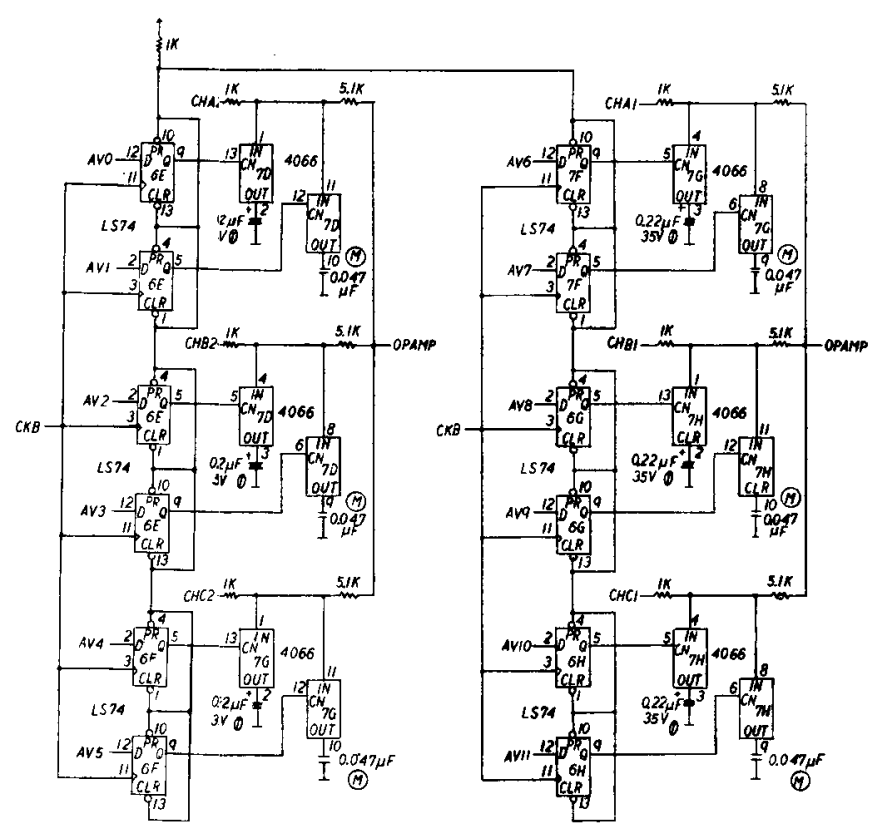
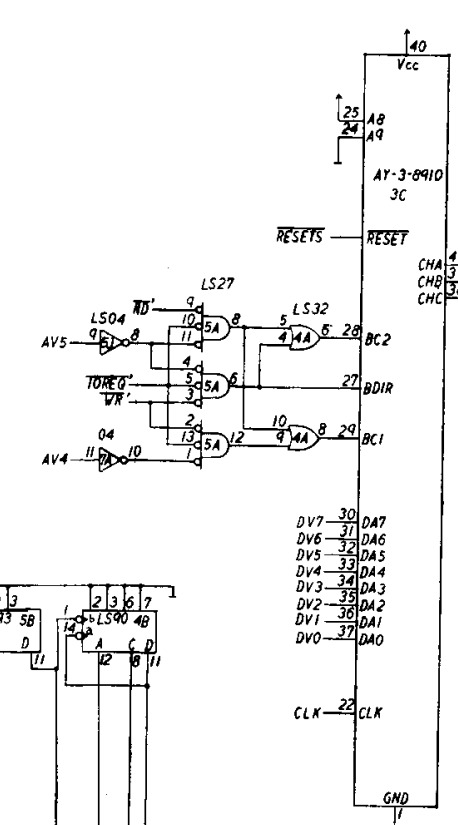
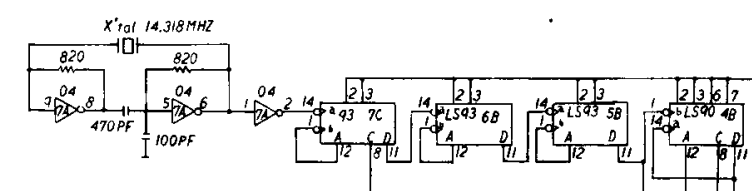
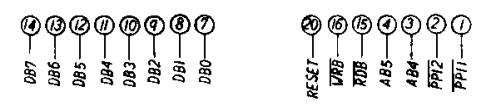
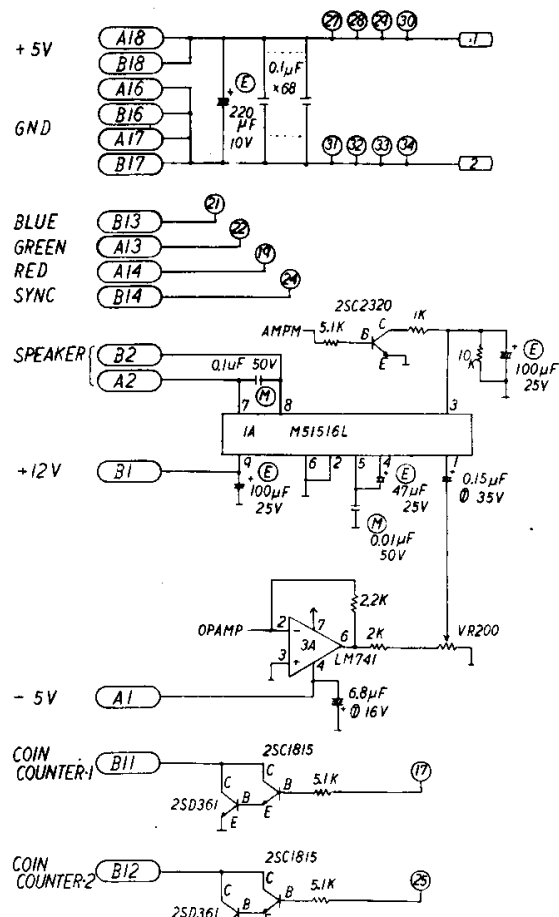


-NOTES-
 † Vcc +5V
 † GND 0V

STERN 1725 DIVERSEY PARKWAY, CHICAGO, ILLINOIS 60614
 (312) 938-4600, TELETYPE 25-4607
 TOLL FREE SERVICE ASSISTANCE (800) 621-6424
 ILLINOIS ONLY (800) 572-1948

AMIDAR

REV. A.1



- NOTES —
- ⊙ ; TANTALUM ELECTROLYTIC CONDENSER.
 - Ⓜ ; MYLAR CAPACITOR.
 - ⓔ ; ELECTROLYTIC CONDENSER.
 - NO MARK ; CERAMIC CONDENSER.
 - ⓑ2 ; 36 PIN CONNECTOR. B is parts side.
 - Ⓜ ; 34 PIN CONNECTOR.
 - ⓑ ; 2 PIN CONNECTOR.
 - † ; VCC, +5V
 - ⓓ ; GND, 0V